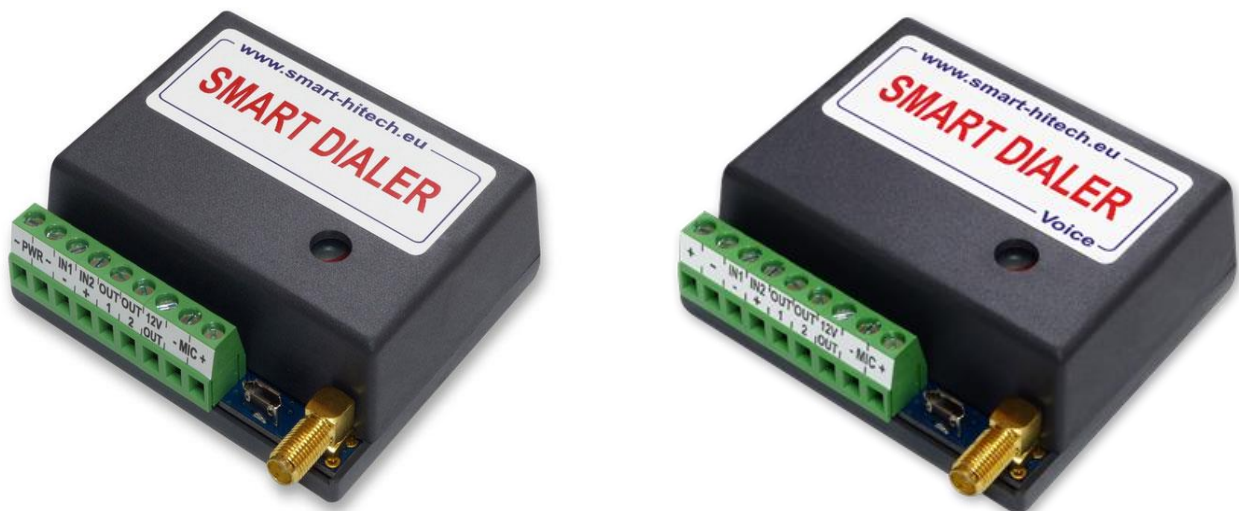


## GSM DIALING MODULE FOR REMOTE CONTROL AND EMERGENCY COMMUNICATION

GSM dialing modules are widely used in variety of applications, where remote control and management is required. They are available in two different sets with same functionality and setup:

**SMART DIALER** set – suitable for home or other automation, for monitoring and security in home and office. It can be used to remote control any electric appliances like air conditioners, heaters, smart home systems and many more.

**SMART DIALER VOICE** set – suitable for any emergency communication. Especially designed for public lifts and elevators when emergency technical service or support is necessary. It can be used for remotely restart the elevator's main controller.



### **Device description:**

These modules operate via GSM network only and SIM cards from any mobile operator can be used. They can activate an output after incoming voice call or SMS message. They can also initiate a voice call or send an SMS to predefined number after an input is triggering. Many other combinations also can be set, depending on user's preferences.

- Can work with GSM network of any mobile operator.
- Very quick and simplify setup via PC or SMS - they are able to work after single SMS.
- Supports **500** phone numbers for remote control and voice communication.
- Supports **5 main** phone numbers which can be dialed and notified with SMS for events.
- Internal algorithms for automatic redialing of all 5 predefined main numbers.

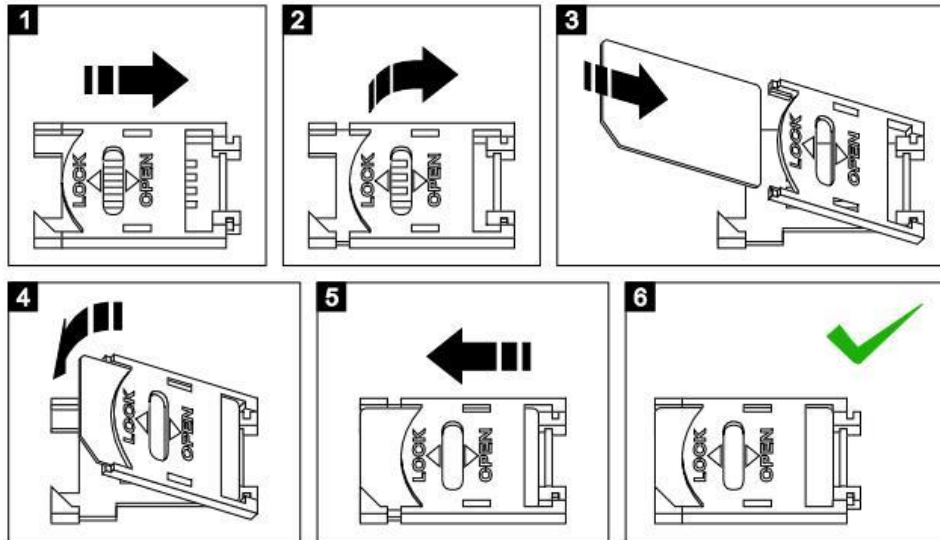
- Two digital inputs are available and when triggered they can initiate a voice call, send SMS, activate an output or all of the above.
- Separate triggering filter can be set for each input.
- Any alarm system can be connect to dialer's inputs, so the module can notify with voice call or SMS in case of alarms or troubles.
- Two programmable outputs are available at user control. The outputs can be setup in different modes; can be activate with SMS, with voice call, following an input or combination of all. Suitable for remote control of external electric devices.
- By connecting one of the outputs to a LED indicator, the status of a voice call can be visualize – dialing, ringing and active call.
- In case of power supply failure, each output keeps its last state and resumes it after power restore.
- SMS message can be send to predefined numbers each time an output is activate. The message can be user customized.
- A dedicated 12VDC power output is available;
- Supports two-way audio communication when connecting additional microphone and speaker.
- Supports remote volume control and microphone adjustment in real time by using DTMF in active voice call.
- Full device state request via SMS.
- GSM signal level tracking for choosing best antenna position.
- SMS notification for power supply state.
- Absolutely free PC configuration tool.

**Both SMART DIALER and SMART DIALER VOICE share same functionality. The VOICE set has in addition:**

- Internal LiION battery with charger, which allows it to work after power failure up to 12 hours in standby mode and up to 60 minutes in active voice call.
- The dedicated 12VDC power output will continue to work because of the internal battery.
- Two-way audio communication is directly available in this set because of the integrated speaker and the microphone provided.
- Easy to install and suitable for all kind of lifts and elevators.

## Quickstart installation

1. Open the device box and insert the SIM card into the holder as shown in the picture below. Make sure the PIN code was disable before that. The SIM card have to be with allowed voice and SMS services.



2. Connect the GSM antenna to the module.

### **3. SMART DIALER VOICE only:**

Install a push button (with N.O. contact) for triggering an emergency call and a LED indicator for its status (12V rated or with 1k $\Omega$  resistor in serial) inside the lift cabin. Wire the button between terminals **IN1** and **IN2**. Connect the indicator to **+12V OUT** and **LED OUT** terminals (keep in mind its polarity). Connect the microphone to the **MIC-** and **MIC+** terminals. The red wire has to be connect to MIC+ terminal.

4. Connect the power supply to the module. Typical wiring diagrams are available at the bottom of each module's box.

**For SMART DIALER:** Power up the module from a regulated 12VDC/1A power supply or other suitable power source.

**For SMART DIALER VOICE:** Power up the module from the cabin's power supply or other suitable power source with the proper voltage range.

5. After powering on the module, it will need up to 1 minute to connect to GSM network. The connection is successful after blinking of module's internal LED is change from fast to slow.

6. To program the **main** (service) number, following SMS have to be sent to the module: **t1,+44xxxxxxxxx** (where the first part is the country code and the **xxx...** are the digits of the main service number). **For example:** a phone number 0888 123456 shall be sent in SMS as **t1,+44888123456**

7. If the module receives the sent SMS successfully, it will reply you back with confirmation.
8. In order to make a full run test, push and hold the **TEST** button for 3 seconds. The LED indicator will start to blink and the module will start to dial the main number. The test will complete successfully when a call to this number is made.

**For SMART DIALER VOICE:** The test can be done also with push and hold the connected emergency button for 5 seconds. The connected LED indicator will start to blink and the module will start to dial the main service number. The test will complete successfully when a call to this number is made.

#### 9. **SMART DIALER only:**

To setup the triggering of output 1 after a phone call, the following SMS have to be sent: **call,out,t1** To test this functionality, make a call to the inserted SIM card. The output will change its state and will activate an external relay, if it is connected.

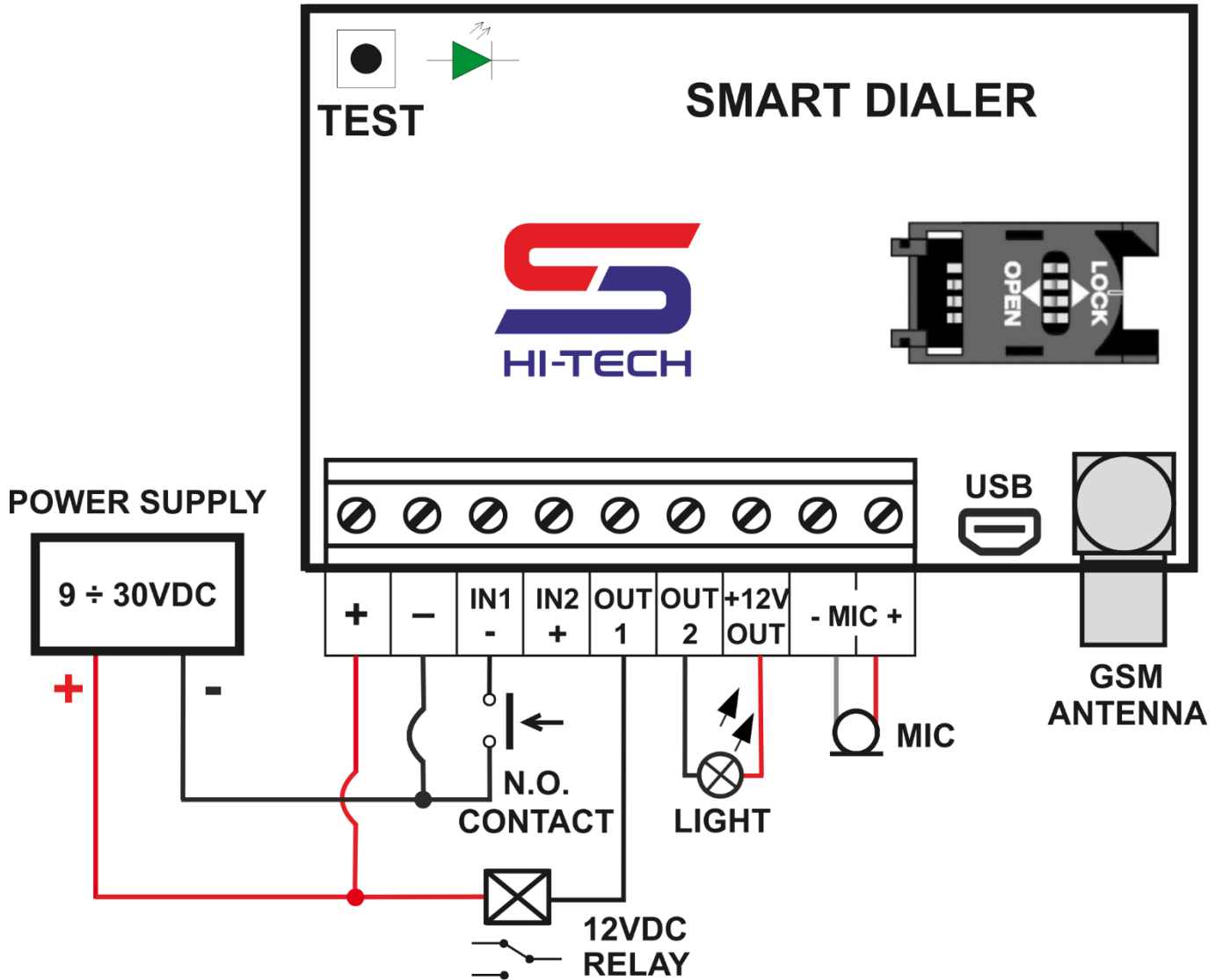
10. Close the device box and mount it on a suitable place.

#### **IMPORTANT:**

If the SIM card inserted is not allow to send SMS, then you will not be able to receive any replies from the module. As a backup option, the SMS delivery notification can be use. It has to be allow in the sending phone before that.

If the main number has not been send correctly or is not available any more, the only way to change or remove it is to reset the module to the factory settings.

## TYPICAL WIRING DIAGRAMS



This module can be installed behind the cabin's button panel with adhesive tape. The emergency push button and LED indicator have to be installed at the front panel. There must be free space in front of the microphone and the speaker for better acoustics.



## **Advanced settings**

All settings can be done with **SDServiceModule** via PC and a standard micro USB cable. **SDServiceModule** is a completely free programming tool and is available for download from our website: [www.smart-hitech.eu](http://www.smart-hitech.eu)

Manual setup via SMS messages to the SIM card inserted into the module is also available. Full description of all SMS setup commands is describe in this document.

Up to 500 phone numbers can be stored in the module. They can control its outputs remotely with voice calls to the SIM card inserted or make a two-way voice call. From these 500 phone numbers, only the first **5** (named as **t1**, **t2**, **t3**, **t4**, **t5**) can be dialed or notified by SMS for a predefined event. The phone number entered on the first position (**t1**), is considered as the administrative (or service) one. A setting SMS for **add**, **change** or **remove** any of the other 499 numbers can be send by him only.

With these first 5 phone numbers the module can make two way communication with voice calls and SMS. The voice calls can be with one or two way audio depending on the connected microphone and speaker. SMS notification can be done after an input or output is triggered, or regularly with current module status.

Calling any of the first 5 phone numbers can be done either by triggering one of the inputs or by pressing the built-in **TEST** button (*will call only t1*). The input triggering time can be setup, the factory settings are *1 second* for Input 1 and *3 seconds* for Input 2. Call order starts always with the first number (*t1*). If any of the calling numbers does not answer within 20 seconds, the internal algorithm will proceeds to call the next one in the list. Call redials can be set if all calls are unsuccessful, the factory settings are 2 redials. A call, less than 3 seconds will be repeated. A call more than 3 seconds will end the redial algorithm. During a call, the speaker volume and the microphone sensitivity can be adjust via DTMF codes from the caller's telephone. This is done by pressing the keypad numbers - **1** (Down) and **3** (Up) for the microphone and **7** (Down) and **9** (Up) for the speaker. Pressing the keypad number **5** during a call will activate output 1 (OUT1) for 5 seconds. Various type of devices can be control remotely if an external relay is connect to this output – water pumps and heaters, lighting, air conditioning, etc.

While the power supply of the module is designed to have a wide input range, to control external loads with conventional 12V relays, a dedicated 12VDC output is available. From this power can be supplied an external LED indicators and relays.

*When internal battery is available (VOICE set), this 12VDC power output will continue to work even if the main power is off. This fact must be take into account, because it will draw the battery quicker than normally.*

All outputs are open collector type and connect the loads to ground. Working mode for Output 2 can be change from a standard output to an indicator control output. Its factory set is indicator mode (LED) and is use to visualize the call status via connected LED indicator. It will light constantly when an input is trigger or the TEST button is

pressed. Starting the call to a phone number from the list, will start blinking the LED and will switch to constant light again when the call is answer.

## **SMS COMMAND LIST**

- Only the main number (the administrative one *t1*) can set or change a setting via SMS.
- All SMS commands must be in English and are not case sensitive.
- The phone numbers have to be set in one of the following formats: +44... or 0044...

### **1. Phone numbers setup**

#### **1.1. Main phone number setup**

To setup the main number in a factory reset module, a single SMS with the following text have to be send to the SIM card inserted: **t1,+44xxxxxxxxxx** , where xxxxxxxxx is the main number digits

Command	<b>t1,+44xxxxxxxxxx</b>
Example	<i>t1,+44123456789</i>
Answer	<i>Dialer 1. t1 is set successfully.</i>
Description	Set or change the main phone number.

In order to change already set **t1** number, an SMS command with the new phone number have to be send. This SMS have to be send from the old (already set) number.

If the main phone number has not been send correctly or is not available any more, the only way to change or remove it is to reset the module to the factory settings.

#### **1.2. Additional phone numbers setup**

Only the main number can add or change the additional phone numbers. The setup SMS commands are:

Command	<b>t2,+44xxxxxxxxxx</b> <b>t3,+44xxxxxxxxxx</b> <b>t4,+44xxxxxxxxxx</b> <b>t5,+44xxxxxxxxxx</b>
Example	<i>t2,+44123123123</i>
Answer	<i>Dialer 1. t2 is set successfully.</i>
Description	Set or change the specified additional phone number

To confirm the successful operation, the module will return an SMS to the specified additional number.

To change an additional phone number, the same SMS command with the new number have to be send. All settings from the old number will transfer to the new one.

The rest of the phone numbers (from t6 to t500) can be set with or without specifying the number position.

To set a phone number with specifying the position is as described so far.

Command	<b>t300,+44xxxxxxxxxx</b>
Example	t300,+44123123123
Answer	Dialer 1. t300 is set successfully.

To set a phone number without specifying its position – the module will save it at the first available position. If there is no empty place, an error message will be send.

Command	<b>t,+44xxxxxxxxxx</b>
Example	t,+44123123123
Answer	Dialer 1. t10 is set successfully. – The phone number was saved on the first available position, which in this case is t10.

**REMINDER:** All additional phone numbers from **t6** to **t500** cannot be dial from the module and will not receive SMS notification for any change in inputs and outputs.

### 1.3. Removing additional number

Command	<b>t2,del t3,del t4,del t5,del t100,del</b>
Answer	Dialer 1. The command executed successfully.
Description	Remove the specified additional number from the memory.

**Removing a phone number will remove all its settings also.** If we want to set a phone number to this position again, all connected parameters have to be set also.

### 1.4. Requesting numbers from t1 to t5

Command	<b>t?</b>
Description	Requests all phone numbers from t1 to t5. Unused positions are display with blank fields.
Answer	Dialer 1. t1=+44123456789, t2=+44123456789, t3=+44123456789, t4=, t5=



## 1.5. Requesting numbers from t6 to t500

Command	<b>t?,x</b>
Description	Requests the phone number at position <b>x</b> , where <b>x</b> is a number from 6 to 500.
Example	<i>t?,500</i>
Answer	<i>Dialer 1. t500=+44123456789</i>

## 2. Incoming call scenarios

How the module response to an incoming call from an authorized number can be set up. **The factory settings are answering to calls from the first 5 numbers and triggering OUT1 if the calls are from the rest 495 numbers.** Other possible options are rejecting the call, triggering one of the outputs or both.

**Output 2 will work only if it is set as general output – Trigger and Pulse modes.**

### 2.1. Incoming call scenarios for numbers t1 to t5

Command	<b>call,voice,t1,t2,t3,t4,t5</b>
Description	Sets the module to answer a call from the specified numbers. <b>This is the default setting after factory reset.</b>
Example	<i>call,voice,t1,t2</i> Will answer to calls from t1 and t2.
Command	<b>call,voice?</b>
Description	Requests the settings entered with <b>call,voice,t1,t2,t3,t4,t5</b>
Example	<i>call,voice?</i> Will return an SMS with <i>Dialer1. call,voice,t1,t2,</i>

Command	<b>call,out1,t1,t2,t3,t4,t5</b>
Description	Sets output 1 to activate after a call from the specified numbers.
Example	<i>call,out1,t1,t2,t3</i> Will activate the output 1 after a call from t1, t2 or t3.
Command	<b>call,out1?</b>
Description	Requests the settings entered with <b>call,out1,t1,t2,t3,t4,t5</b>
Example	<i>call,out1?</i> Will return an SMS with <i>Dialer 1. call,out1,t1,t2,t3,</i>

Command	<b>call,voice+out1,t1,t2,t3,t4,t5</b>
Description	Sets the module to answer a call from the specified numbers and to activate output 1.
Example	<i>call,voice+out1,t1</i> Will answer to call from t1 and will activate output 1.

Command	<b>call,voice+out1?</b>
Description	Requests the settings entered with <b>call,voice+out1,t1,t2,t3,t4,t5</b>
Example	<i>call,voice+out1?</i> Will return an SMS with <i>Dialer 1. call,voice+out1,t1,</i>

Command	<b>call,out2,t1,t2,t3,t4,t5</b>
Description	Sets output 2 to activate after a call from the specified numbers.
Example	<i>call,out2,t1,t2,t3</i> Will activate the output 2 after a call from t1, t2 or t3.

Command	<b>call,out2?</b>
Description	Requests the settings entered with <b>call,out2,t1,t2,t3,t4,t5</b>
Example	<i>call,out2?</i> Will return an SMS with <i>Dialer 1. call,out2,t1,t2,t3,</i>

Command	<b>call,voice+out2,t1,t2,t3,t4,t5</b>
Description	Sets the module to answer a call from the specified numbers and to activate output 2.
Example	<i>call,voice+out2,t1</i> Will answer to call from t1 and will activate output 2.

Command	<b>call,voice+out2?</b>
Description	Requests the settings entered with <b>call,voice+out2,t1,t2,t3,t4,t5</b>
Example	<i>call,voice+out2?</i> Will return an SMS with <i>Dialer 1. call,voice+out2,t1,</i>

Command	<b>call,outs,t1,t2,t3,t4,t5</b>
Description	Sets both outputs to activate after a call from the specified numbers.
Example	<i>call,outs,t1,t2,t3</i> Will activate the both outputs after a call from t1, t2 and t3.

Command	<b>call,outs?</b>
Description	Requests the settings entered with <b>call,outs,t1,t2,t3,t4,t5</b>
Example	<i>call,outs?</i> Will return an SMS with <i>Dialer 1. call,outs,t1,</i>

Command	<b>call,voice+outs,t1,t2,t3,t4,t5</b>
Description	Sets the module to answer a call from the specified numbers and to activate both outputs.
Example	<i>call,voice+outs,t1</i> Will answer to a call from t1 and will activate both outputs.

Command	<b>call,voice+outs?</b>
Description	Requests the settings entered with <b>call,voice+outs,t1,t2,t3,t4,t5</b>
Example	<i>call,voice+outs?</i> Will return an SMS with <i>Dialer 1. call,voice+outs,t1,</i>

**Each new command for a specified phone number will override its current settings.**

**Example:** If the following sequence of commands has been executed:

*call,voice,t1,t2*  
*call,voice+out1,t1,t2*  
*call,voice+out2,t1,t2*  
*call,outs,t1,t2*

Then the settings from the last one will be valid for t1 and t2.

## 2.2. Incoming call scenarios for numbers t6 to t500

It is done the same way as for numbers from t1 to t5. The only limit is that one SMS can assign up to 5 numbers at once.

Command	<b>call,voice,t100,t223,t403,t414,t500</b> <b>call,out1,t100,t223,t403,t414,t500</b> <b>call,out2,t100,t223,t403,t414,t500</b> <b>call,outs,t100,t223,t403,t414,t500</b> <b>call,voice+out1,t100,t223,t403,t414,t500</b> <b>call,voice+out2,t100,t223,t403,t414,t500</b> <b>call,voice+outs,t100,t223,t403,t414,t500</b>
---------	--

## 2.3. Request settings for incoming calls for numbers t6 to t500

Unlike the setup command, where up to 5 numbers can be set, the request command can ask for the settings of **only** one number.

Command	<b>call,t?,x</b>
Description	Requests the settings for incoming call from number with position <b>X</b> .
Example	<i>call,t?,200</i> Can return an SMS with <i>Dialer1. call,outs,t200</i> It means for incoming call from the number at position 200, the module will activate its both outputs.

**The factory settings for all these numbers are to activate OUT1 after incoming call.**

### 3. Output settings and control

Both outputs **OUT1** and **OUT2** can be trigger via voice call or SMS. In order to do it the corresponding permissions to the calling numbers have to be set.

Two main work modes can be set for the outputs: **Trigger** and **Pulse**. In **Trigger** mode, each call or SMS from authorized number will change (or invert) the output state. In **Pulse** mode, every call or SMS will activate (turn on) the output for a predefined period. After this period expires, the output will restore (turn off) automatically.

**Trigger mode example:** The output's current state is turned off. After a voice call from authorized number, the output will activate and will not change until the next time, when a new voice call will turn it off again.

**Pulse mode example:** The output's current state is turned off. After a voice call from authorized number, the output will activate for 5 seconds. After these 5 seconds, it will turn off. A new voice call will repeat the sequence.

For the second output can be setup additional working mode – driving an external LED indicator. This mode is its default factory set and is use to visualize the call status via a connected LED indicator. Starting a call to a phone number will start blinking the LED. When the call is answer, the LED light will change to constant light.

#### 3.1. Voice call triggering

Command	<b>out1,trigger</b>
Description	Sets the <b>trigger</b> mode for OUT1 when dialed. <b>This is the default setting after factory reset.</b>
Command	<b>out1,pulse,XX</b>
Description	Sets the <b>pulse</b> mode for OUT1 when dialed with <b>ON</b> period XX seconds. Period can be change from 1 ÷ 60 seconds. <b>The default pulse period for OUT1 is 1 second.</b>
Example	<i>out1,pulse,10</i> Will activate the output for 10 seconds and then will turn it off.
Command	<b>out1?</b>
Description	Requests the settings entered with <b>out1,trigger</b> and <b>out1,pulse,XX</b>
Example	<i>out1?</i> Will return an SMS with <i>Dialer 1. out1,trigger</i> and <i>Dialer 1. out1,pulse,10sec</i>

Command	<b>out2,trigger</b>
Description	Sets the <b>trigger</b> mode for OUT2 when dialed. <b>This is the default setting after factory reset.</b>
Command	<b>out2,pulse,XX</b>
Description	Sets the <b>pulse</b> mode for OUT2 when dialed with <b>ON</b> period XX seconds. Period can be change from 1 ÷ 60 seconds. <b>The default pulse period for OUT2 is 3 seconds.</b>

Example	<i>out2,pulse,10</i> Will activate the output for 10 seconds and then will turn it off.
Command	<b>out2?</b>
Description	Requests the settings entered with <b>out2,trigger</b> and <b>out2,pulse,XX</b>
Example	<i>out2?</i> Will return an SMS with <i>Dialer 1. out2,trigger</i> and <i>Dialer 1. out2,pulse,10sec</i>

**REMINDER 1:** In order to execute the settings for output 2, it has to be set as general-purpose output.

**REMINDER 2:** If the output has been activated when receiving a new SMS with setup command (**out, trigger** or **out, pulse, XX**), it will turn it off until the next trigger event.

### 3.2. SMS triggering

The following commands are used to control the outputs via SMS:

Command	<b>setout1,on</b>
Description	Turns on output <b>OUT1</b> .
Command	<b>setout1,off</b>
Description	Turns off output <b>OUT1</b> .
Command	<b>setout1,pulse,XX</b>
Description	Turns on output <b>OUT1</b> for <b>XX</b> seconds.
Example	<i>setout1,pulse,5</i> Will activate output 1 for 5 seconds and then will turn it off.

Command	<b>setout2,on</b>
Description	Turns on output <b>OUT2</b> .
Command	<b>setout2,off</b>
Description	Turns off output <b>OUT2</b> .
Command	<b>setout2,pulse,XX</b>
Description	Turns on output <b>OUT2</b> for <b>XX</b> seconds.
Example	<i>setout2,pulse,5</i> Will activate output 2 for 5 seconds and then will turn it off.

**REMINDER:** In order to trigger output 2, it has to be set as general-purpose output.



### 3.3. SMS notification after output state change

The module can be set to send SMS notifications to the 5 main numbers when changing output. The message contains information about the source of triggering.

Command	<b>sms,out1on,t1,t2,t3,t4,t5</b>
Description	Sets the module to send SMS to the specified numbers when changing the OUT1 state.
Example	<i>sms,out1on,t1,t2,t3</i> Will set the module to send SMS to t1, t2 and t3 after OUT1 is changed.
Command	<b>sms,out1on?</b>
Description	Requests the settings entered with <b>sms,outon,t1,t2,t3,t4,t5</b>
Example	<i>sms,out1on?</i> Will return an SMS with <i>Dialer 1. sms,out1on,t1,t2,t3,</i>

Command	<b>sms,out1off,t1,t2,t3,t4,t5</b>
Description	Sets the module to disable sending SMS to the specified numbers when changing the OUT1 state. <b>This is the default setting after factory reset.</b>
Example	<i>sms,out1off,t1,t2,t3</i> Will disable the SMS send to t1, t2 and t3.
Command	<b>sms,out1off?</b>
Description	Requests the settings entered with <b>sms,out1off, t1,t2,t3,t4,t5.</b>
Example	<i>sms,out1off?</i> Will return an SMS with <i>Dialer 1. sms,out1off,t1,t2,t3,</i>

Command	<b>sms,out2on,t1,t2,t3,t4,t5</b>
Description	Sets the module to send SMS to the specified numbers when changing the OUT2 state.
Example	<i>sms,out2on,t1,t2,t3</i> Will set the module to send SMS to t1, t2 and t3 after OUT2 is changed.
Command	<b>sms,out2on?</b>
Description	Requests the settings entered with <b>sms,outon,t1,t2,t3,t4,t5</b>
Example	<i>sms,out2on?</i> Will return an SMS with <i>Dialer 1. sms,out2on,t1,t2,t3,</i>

Command	<b>sms,out2off,t1,t2,t3,t4,t5</b>
Description	Sets the module to disable sending SMS to the specified numbers when changing the OUT2 state. <b>This is the default setting after factory reset.</b>
Example	<i>sms,out2off,t1,t2,t3</i> Will disable the SMS send to t1, t2 and t3.
Command	<b>sms,out2off?</b>

Description	Requests the settings entered with <b>sms,out2off,t1,t2,t3,t4,t5</b>
Example	<i>sms,out2off?</i> Will return an SMS with <i>Dialer 1. sms,out2off,t1,t2,t3,</i>

### 3.4. Setting the operating mode for Output 2

Command	<b>out2,led</b>
Description	Sets the <b>OUT2</b> to operate in <b>Indicator (LED)</b> mode. <b>This is the default setting after factory reset.</b>
Example	<i>out2,led</i> Will set the <b>OUT2</b> to work in indicator mode.
Command	<b>out2mode?</b>
Description	Requests the settings entered with <b>out2</b>
Example	<i>out2mode?</i> Will return an SMS with <i>Dialer 1. out2, led mode.</i>

## 4. Input settings and control

Two digital inputs are available and after triggering, they can initiate a voice call, SMS send or both actions to the predefined 5 main numbers. Default factory settings for both inputs are to initiate a voice call.

### 4.1. Outgoing CALL scenarios after input triggering

Command	<b>voice,in1,t1,t2,t3,t4,t5</b>
Description	Sets the module to initiate voice calls to the specified numbers after Input 1 triggering.
Example	<i>voice,in1,t1,t2</i> Will dial t1 and t2 after Input 1 triggering.
Command	<b>voice,in1?</b>
Description	Requests the settings entered with <b>voice,in1,t1,t2,t3,t4,t5</b>
Example	<i>voice,in1?</i> Will return an SMS with <i>voice,in1,t1,t2,</i>

Command	<b>voice,in2,t1,t2,t3,t4,t5</b>
Description	Sets the module to initiate voice calls to the specified numbers after Input 2 triggering.
Example	<i>voice,in2,t1,t3</i> Will dial t1 and t3 after Input 2 triggering.
Command	<b>voice,in2?</b>
Description	Requests the settings entered with <b>voice,in2,t1,t2,t3,t4,t5</b>
Example	<i>voice,in2?</i> Will return an SMS with <i>Dialer 1. voice,in1,t1,t3,</i>

#### 4.2. Outgoing SMS scenarios after input TRIGGERING

Command	<b>sms,in1,t1,t2,t3,t4,t5</b>
Description	Sets the module to send SMS to the specified numbers after Input 1 triggering.
Example	<i>sms,in1,t1,t2</i> Will send SMS to t1 and t2 after Input 1 triggering. <i>Dialer 1. IN1: ON</i>
Command	<b>sms,in1?</b>
Description	Requests the settings entered with <b>sms,in1,t1,t2,t3,t4,t5</b>
Example	<i>sms,in1?</i> Will return an SMS with <i>Dialer 1. sms,in1,t1,t2,</i>

Command	<b>sms,in2,t1,t2,t3,t4,t5</b>
Description	Sets the module to send SMS to the specified numbers after Input 2 triggering.
Example	Will send SMS to t1 and t2 after Input 1 triggering. <i>Dialer 1. IN2: ON</i>
Command	<b>sms,in2?</b>
Description	Requests the settings entered with <b>sms,in2,t1,t2,t3,t4,t5</b>
Example	<i>sms,in2?</i> Will return an SMS with <i>Dialer 1. sms,in2,t1,t2,</i>

#### 4.3. Outgoing SMS scenarios after an input RESTORING

This option is **disable** by default. It can be enable with the following commands:

Command	<b>sms,in1restore,on</b>
Description	Sets the module to send SMS to the specified numbers in <b>sms,in1</b> command, after Input 1 restoring.
Example	<i>sms,in1restore,on</i> Will send SMS to the specified numbers after Input 1 restoring. <i>Dialer 1. IN1: OFF</i>
Command	<b>sms,in1restore,off</b>
Description	Sets the module to <b>disable</b> sending SMS to the specified numbers in <b>sms,in1</b> command, after Input 1 restoring. <b>This is the default setting after factory reset.</b>
Example	<i>sms,in1restore,off</i> The module will not send SMS after Input 1 restoring.
Command	<b>sms,in1restore?</b>
Description	Requests the settings entered with <b>sms,in1restore</b>
Example	<i>sms,in1restore?</i> Will return an SMS with <i>Dialer 1. sms,in1restore,off</i>

Command	<b>sms,in2restore,on</b>
Description	Sets the module to send SMS to the specified numbers in <b>sms,in2</b> command, after Input 2 restoring.
Example	<i>sms,in2restore,on</i> Will send SMS to the specified numbers after Input 2 restoring. <i>Dialer 1. IN2: OFF</i>
Command	<b>sms,in2restore,off</b>
Description	Sets the module to <b>disable</b> sending SMS to the specified numbers in <b>sms,in2</b> command, after Input 2 restoring. <b>This is the default setting after factory reset.</b>
Example	<i>sms,in2restore,off</i> The module will not send SMS after Input 2 restoring.
Command	<b>sms,in2restore?</b>
Description	Requests the settings entered with <b>sms,in2restore</b>
Example	<i>sms,in2restore?</i> Will return an SMS with <i>Dialer 1. sms,in2restore,off</i>

#### 4.4. Outgoing CALL+SMS scenarios after an input TRIGGERING

Command	<b>voice+sms,in1,t1,t2,t3,t4,t5</b>
Description	Sets the module to send SMS and initiate voice call to the specified numbers after Input 1 triggering.
Example	<i>voice+sms,in1,t1,t</i> Will send SMS and then initiate voice calls to t1 and t2 after Input 1 triggering.
Command	<b>voice+sms,in1?</b>
Description	Requests settings entered with <b>voice+sms,in1,t1,t2,t3,t4,t5</b>
Example	<i>voice+sms,in1?</i> Will return an SMS with <i>Dialer 1. voice+sms,in1,t1,t2,</i>

Command	<b>voice+sms,in2,t1,t2,t3,t4,t5</b>
Description	Sets the module to send SMS and initiate voice call to the specified numbers after Input 2 triggering.
Example	<i>voice+sms,in2,t1,t2</i> Will send SMS and then initiate voice calls to t1 and t2 after Input 2 triggering.
Command	<b>voice+sms,in2?</b>
Description	Requests settings entered with <b>voice+sms,in2,t1,t2,t3,t4,t5</b>
Example	<i>voice+sms,in2?</i> Will return an SMS with <i>Dialer 1. voice+sms,in2,t1,t2,</i>

#### 4.5. Disable actions after input triggering

Command	<b>none,in1,t1,t2,t3,t4,t5</b>
Description	Turns off the module response to specified numbers after Input 1 triggering.
Example	<i>none,in1,t1,t3</i> After Input 1 is triggered, the device will NOT make a call or send an SMS to t1 and t3.
Command	<b>none,in1?</b>
Description	Requests the settings entered with <b>none,in1,t1,t2,t3,t4,t5</b>
Example	<i>none,in1?</i> Will return an SMS with <i>Dialer 1. none,in1,t1</i>

Command	<b>none,in2,t1,t2,t3,t4,t5</b>
Description	Turns off the module response to specified numbers when Input 2 triggering.
Example	<i>none,in2,t1,t3</i> After Input 2 is triggered, the device will NOT make a call or send SMS to t1 and t3.
Command	<b>none,in2?</b>
Description	Requests the settings entered with <b>none,in2,t1,t2,t3,t4,t5</b>
Example	<i>none,in2?</i> Will return an SMS with <i>Dialer 1. none,in2,t1</i>

#### 4.6. Changing the text (Input name) in the SMS send after input triggering

Command	<b>in1text,xxx</b>
Description	Replace the name of Input 1 with <b>xxx</b> in the SMS sent after Input 1 triggering. Max length – 20 symbols. <b>The default setting after factory reset is IN1.</b>
Example	<i>in1text,Panic button 1</i> Will send the following SMS after Input 1 triggering: <i>Dialer 1. Panic button 1: ON</i>
Command	<b>in1text?</b>
Description	Requests the settings entered with <b>in1text,xxx</b>
Example	<i>in1text?</i> Will return an SMS with <i>Dialer 1. Panic button 1</i>

Command	<b>in2text,xxx</b>
Description	Replace the name of Input 2 with <b>xxx</b> in the SMS sent after Input 2 triggering. Max length – 20 symbols. <b>The default setting after factory reset is IN2.</b>
Example	<i>in2text,Panic button 2</i> Will send the following SMS after Input 2 triggering: <i>Dialer 1. Panic button 2: ON</i>



Command	<b>in2text?</b>
Description	Requests the settings entered with <b>in2text,xxx</b>
Example	<i>in2text?</i> Will return an SMS with <i>Dialer 1. Panic button 2</i>

#### 4.7. Change the input triggering filter period

Command	<b>in1,XX</b>
Description	Sets the triggering filter period for Input 1. Range from 1÷60 seconds. <b>The default setting after factory reset is 1 second.</b>
Example	<i>in1,5</i> Will trigger Input 1 after connecting it to <b>ground</b> or <b>negative</b> source for minimum 5 seconds.

Command	<b>in1?</b>
Description	Requests the settings entered with <b>in1,XX</b>
Example	<i>in1?</i> Will return an SMS with <i>Dialer 1. in1=5 sec.</i>

Command	<b>in2,XX</b>
Description	Sets the triggering filter period for Input 2. Range from 1÷60 seconds. <b>The default setting after factory reset is 3 second.</b>
Example	<i>in2,10</i> Will trigger Input 2 after connecting it to the <b>positive</b> power supply or Input 1 for minimum 10 seconds.

Command	<b>in2?</b>
Description	Requests the settings entered with <b>in2,XX</b>
Example	<i>in2?</i> Will return an SMS with <i>Dialer 1. in2=10 sec.</i>

#### 5. Check the current module state

Information about the current state of all inputs, outputs, supply voltage, GSM signal level and device name can be request by SMS.

Command	<b>state?</b>
Description	Requests the current state of all inputs, outputs, power supply, GSM signal strength and device name.
Example	<i>state?</i> Will return an SMS with <i>IN1: OFF, IN2: OFF, OUT1: OFF, OUT2: ON, PowerSupply=24V, Vbat=0V, GSM=68%, Name: Dialer 1.</i>

**Current state of OUT2 will be send only if it is set as standard output.**

## 6. Setup module state regular report

Command	<b>report,x</b>
Description	Sets a period (in hours) for automatic report of module current state. Range from 0 to 720 hours. <b>The default setting after factory reset is 0 (disabled).</b>
Example	<i>report,168</i> Will send SMS report with current state every week.
Command	<b>report?</b>
Description	Requests the settings entered with <b>report,x</b> .
Example	<i>report?</i> Will return an SMS with <i>Dialer 1. Report every 12 hours.</i>

## 7. Setup automatic call redials (if no answer)

Command	<b>retries,X</b>
Description	Sets the number of attempts for redial if there is no answer from dialed numbers. <b>The default setting after factory reset is 2 redials.</b>
Example	<i>retries,1</i> If there is no answer from the dialed numbers, the module will not make redialing.
Command	<b>retries?</b>
Description	Requests the settings entered with <b>retries,X</b>
Example	<i>retries?</i> Will return an SMS with <i>Dialer 1. retries=2</i>

## 8. Setup maximum call duration

Command	<b>duration,XX</b>
Description	Sets the maximum allowed call duration. When is reached, the module will close the connection automatically. Range from 1 ÷ 60 minutes. <b>The default setting after factory reset is 60 minutes.</b>
Example	<i>duration,20</i> Will set the max call duration to 20 minutes.
Command	<b>duration?</b>
Description	Requests the settings entered with <b>duration,XX</b>
Example	<i>duration?</i> Will return an SMS with <i>Dialer 1. duration=20</i>

## 9. Setup device name

For each device can be setup a different name. This will avoid any confusion when several modules with same phone numbers are used. The default settings for device name is its serial number. The maximum allowed symbols are 40.

Command	<b>name,XXXXXXXXXXXXXXXXXXXX</b>
Description	Sets user defined device name. Max length 40 symbols. <b>The default setting after factory reset is module's serial number.</b>
Example	<i>name,Dialer 1</i> Will set the device name to <i>Dialer 1</i> .
Command	<b>name?</b>
Description	Requests the settings entered with <b>name,XXXXXXXXXXXXXXXX</b>
Example	<i>name?</i> Will return an SMS with <i>name,Dialer 1</i>

## 10. Requesting information for device serial number, SIM card ID, hardware and software versions

Command	<b>ver?</b>
Description	Requests device SN, SIM card ID, FW and HW versions
Example	<i>ver?</i> Will return an SMS with <i>Dialer 1. SN:1234567890; FW:3.00; HW:3.00; BL:1.00; SIM:12345678901234567890</i>

## 11. Replies to unauthorized numbers

Replies to unauthorized numbers are supported but this option have to be enable with many precautions. It may lead to a lot of sent SMS and higher playbill to the mobile operator. By default, it is disabled.

Command	<b>acksms,on</b>
Description	Turn <b>ON</b> blocking of the SMS response to unauthorized numbers. <b>This is the default setting after factory reset.</b>
Command	<b>acksms,off</b>
Description	Turn <b>OFF</b> blocking of the SMS response to unauthorized numbers.
Command	<b>acksms?</b>
Description	Requests the settings entered with <b>acksms,on</b> and <b>acksms,off</b>
Example	<i>acksms?</i> Will send an SMS with <i>Dialer 1. acksms,on</i>

***The SMS text to unauthorized number is always the same: Not allowed!***

## 12. Dialing mode setup

When more than one phone numbers has to be dial, the internal dialing algorithm can be set to choose from two different modes – **Single response** and **Dial all**.

Command	<b>dialing,single</b>
Description	Sets the dialing mode to <b>Single response</b> . In this mode, the dialing algorithm will finish when a call more than 3 seconds is made to any of the numbers. <b>This is the default setting after factory reset.</b>
Example	<i>dialing,single</i> Will terminate the dialing after the first answer.
Command	<b>dialing,all</b>
Description	Sets the dialing mode to <b>Dial all</b> . In this mode, the dialing algorithm will make a call to all numbers from the list, no matter if there was an answer from any of them.
Example	<i>dialing,all</i> Will dial all phone numbers from the list.
Command	<b>dialing?</b>
Description	Requests the setting entered with <b>dialing</b>
Example	<i>dialing?</i> Will return an SMS with <i>Dialer 1. dialing,single</i>

## 13. Power supply notification – available with internal battery only

Command	<b>powerreport,X</b>
Description	Allows SMS notification when the external power supply changes. A triggering filter can be set in range from 5 to 180 seconds. When the value is set to 0 (zero), these notifications are disabled. <b>The default setting after factory reset is 0 (disabled).</b>
Example	<i>powerreport,10</i> Will send SMS notification if the external power supply changes and holds for more than 10 seconds. If the power supply changes before the filter time expires, no SMS is send. <i>Dialer 1. Power supply is OFF.</i> <i>Dialer 1. Power supply is ON.</i>
Command	<b>powerreport?</b>
Description	Requests the setting entered for <b>powerreport</b>
Example	<i>powerreport?</i> Will return an SMS with <i>Dialer 1. powerreport,10</i>

## 14. Device replies after SMS commands

The module will reply with confirmation SMS to a **correctly typed** command sent only by the **authorized** numbers.

After factory reset, the module will reply only to a command for main phone number setup (**t1**).

### 14.1. Reply to a valid command and successful execution

- When **t1** is setting for the first time.

Example	<b>t1,+44123456789</b>
Reply	t1 will receive: <b>t1 is set successfully.</b>

**Each SMS starts with the device name. After factory reset the device name is its Serial Number. For all examples this name will be omit.**

- When **t1** setting up an additional number.

Example	<b>t2,+44123456788</b>
Reply	t1 will receive: <i>The command was execute successfully.</i> t2 will receive: <i>t2 is set successfully.</i>

- When setting the **t1** number as additional.

Example	<b>t2,+44123456789</b>
Reply	t1 will receive: <i>t2 is set successfully.</i>

- When **t1** setting up the input trigger filter.

Example	<b>in2,6</b>
Reply	t1 will receive: <i>The command was execute successfully.</i>

- When **t1** setting up the module to initiate voice calls to **t3**, **t4** and **t5** after Input 1 triggering.

Example	<b>voice,in2,t3,t4,t5</b>
Reply	t1 will receive: <i>The command was execute successfully.</i>

### 14.2. Reply to a valid command with wrong parameters

- When **t1** sends a valid command but its parameter is out of range - in such case, the command will not be set.

Example	<b>in2,61</b> ( <i>Max allowed value is 60 seconds</i> )
Reply	t1 will receive: <i>The parameter of the command is out of range!</i>



- When **t1** sends a valid command but **one** of its parameters is not correct - in such case, only the wrong parameter will not be set.

Example	<b>voice,in2,t3,t4,t501</b> ( <i>t501 is not valid, only t3 and t4 will be set</i> )
Reply	t1 will receive: <i>Wrong parameter:t501. Only correct parameters will be saved!</i>

- When **t1** sends a valid command but all parameters are incorrect - in such case, the command will not be set.

Example	<b>voice,in2,t,ta,t600</b> ( <i>t,ta,t600 are not supported</i> )
Reply	t1 will receive: <i>All parameters are wrong! t,ta,t600</i>

Example	<b>voice,in2,t500</b> ( <i>t500 cannot be dialed</i> )
Reply	<i>All parameters are wrong!</i>

- When **t1** sends a valid command but without parameters - in such case, the command will not be set.

Example	<b>voice,in2,</b> ( <i>missing parameters</i> )
Reply	t1 will receive: <i>The command has missing parameters!</i>

#### 14.3. Reply to a valid command and failure execution due to a technical problem

Example	<b>voice,in2,t3,t4,t6</b>
Reply	t1 will receive: <i>There is HW problem!</i>

#### 14.4. Reply to t1 after incorrect command

Example	<b>t501,+44123456789</b> ( <i>t501 is not supported</i> )
Reply	t1 will receive: <i>Unknown command!</i>

#### 14.5. Reply to a valid command from additional number

Example	<b>t1,+44123456789</b> ( <i>t1 is set only by itself</i> )
Reply	The additional number will receive: <i>Not allowed!</i>

#### 14.6. Reply to a valid command for setting an additional phone number but the memory for all 500 positions is already full

Example	<b>t,+44123456789</b>
Reply	<i>Phonebook is full. The new phone number is not saved!</i>

## 15. Factory reset

In order to reset manually the factory settings to their defaults, the following procedure must be fulfilled:

1. Make wire connection between both inputs (to ensure good contact, the terminal screws must be tightened).
2. Restart the module through the jumper located at the upper corner of the board.
3. After the restart, the internal LED will blink quickly for 2 seconds.
4. Then press and hold the TEST button for 10 seconds.

After these 10 seconds, the LED will light for 5 seconds and the module will restart itself. This means successfully finished procedure of factory reset.

The module will exit the procedure automatically, if the TEST button is not pressed within 10 seconds after the jumper restart.

After completing the factory reset, the default settings will be:

Settings	Description
<b>t1</b>	Empty.
<b>t2</b>	Empty.
<b>t3</b>	Empty.
<b>t4</b>	Empty.
<b>t5</b>	Empty.
<b>t6 ÷ t500</b>	Empty.
<b>call,voice,t1,t2,t3,t4,t5</b>	The module will answer to voice calls from the first 5 numbers.
<b>call,out1,t6...t500</b>	The module will turn on Output 1 after incoming call from numbers <b>t6</b> to <b>t500</b> .
<b>out1,trigger</b>	Output 1 will operate in trigger mode after activation.
<b>out2,led</b>	Output 2 will operate in indicator mode.
<b>voice,in1,t1,t2,t3,t4,t5</b>	The module will make voice calls to first 5 numbers after Input 1 triggering.
<b>voice,in2,t1,t2,t3,t4,t5</b>	The module will make voice calls to first 5 numbers after Input 2 triggering.
<b>sms,in1</b>	SMS notification after Input 1 activation is not set.
<b>sms,in1restore,off</b>	SMS notification after Input 1 restore is not set.
<b>in1text,IN1</b>	SMS text for Input 1 triggering is IN1.
<b>in1,1</b>	Input 1 triggering filter is set to 1 second.
<b>sms,in2</b>	SMS notification after Input 2 activation is not set.
<b>sms,in2restore,off</b>	SMS notification after Input 2 restore is not set.
<b>in2,3</b>	Input 2 triggering filter is set to 3 second.

<b>in2text,IN2</b>	SMS text for Input 2 triggering is IN2.
<b>sms,out1off,t1,t2,t3,t4,t5</b>	SMS notification after Output 1 triggering is disabled.
<b>sms,out2off,t1,t2,t3,t4,t5</b>	SMS notification after Output 2 triggering is disabled.
<b>acksms,on</b>	SMS response to unauthorized numbers is disabled.
<b>retries,2</b>	Automatic call redials is set to 2 times.
<b>duration,60</b>	Maximum call duration is set to 60 minutes.
<b>dialing,single</b>	Dialing mode is set to Single response.
<b>powerreport,0</b>	SMS notification for external power change is disabled.
<b>report,0</b>	Automatic report for device current status is off.
<b>name,0123456789</b>	Device name is its serial number.

## Technical parameters

<b>Power supply</b>	9 ÷ 30VDC
<b>Digital inputs</b>	1 negative input (15VDCmax) 1 positive input (95VDCmax)
<b>Digital outputs</b>	2 outputs (open collector type, 1A max)
<b>Regulated power output</b>	Vout = 12VDC, Imax = 60mA
<b>Internal battery (Smart Dialer VOICE)</b>	300mAh LiION battery (provides power up to 12 hours in standby mode and up to 60 minutes in active voice call)
<b>Microphone input</b>	1 input, external
<b>Speaker output</b>	1 output, internal, 1W max
<b>GSM module</b>	850/900/1800/1900MHz
<b>Consumption in STANDBY mode</b>	up to 15mA @12VDC
<b>Consumption in ACTIVE mode</b>	up to 130mA @12VDC
<b>Operating temperature</b>	-40 °C ÷ +85 °C
<b>Weight Smart Dialer</b>	90g
<b>Weight Smart Dialer VOICE</b>	98g
<b>Dimensions</b>	74mm x 64mm x 28mm

## SMART DIALER package set

<b>Smart Dialer</b>	1pcs. in plastic box
<b>GSM antenna</b>	1pcs. (length 3m)

## SMART DIALER VOICE package set

<b>Smart Dialer</b>	1pcs. in plastic box
<b>GSM antenna</b>	1pcs. (length 3m)
<b>LiION battery</b>	1pcs. (300mAh, pre-installed internally)
<b>Microphone</b>	1pcs. (length 1m)
<b>Speaker</b>	1pcs. (1W, pre-installed internally)

## LIST OF ALL SMS COMMANDS

Command	Description
<b>t1,+44xxxxxxxxxx</b>	Set/change the number of the main phone number <b>t1</b>
<b>t2,+44xxxxxxxxxx</b>	Set/change the additional number <b>t2</b>
<b>t3,+44xxxxxxxxxx</b>	Set/change the additional number <b>t3</b> .
<b>t4,+44xxxxxxxxxx</b>	Set/change the additional number <b>t4</b>
<b>t5,+44xxxxxxxxxx</b>	Set/change the additional number <b>t5</b>
<b>t,+44xxxxxxxxxx</b>	Add additional phone number to the first available position after <b>t5</b>
<b>t2,del</b>	Removes the additional phone number <b>t2</b> and all its settings
<b>t3,del</b>	Removes the additional phone number <b>t3</b> and all its settings
<b>t4,del</b>	Removes the additional phone number <b>t4</b> and all its settings
<b>t5,del</b>	Removes the additional phone number <b>t4</b> and all its settings
<b>t?</b>	Requests all phone numbers from <b>t1</b> to <b>t5</b>
<b>t?,x</b>	Requests the phone number at position <b>X</b>
<b>call,voice,t1,t2,t3,t4,t5</b> <b>call,voice,t6,...,t500</b>	Sets the module to answer an incoming call from the specified numbers
<b>call,voice?</b>	Requests the settings entered with <b>call,voice,t1,t2,t3,t4,t5</b>
<b>call,out1,t1,t2,t3,t4,t5</b> <b>call,out1,t6,...,t500</b>	Sets the module to activate Output 2 after incoming voice call from the specified numbers
<b>call,out1?</b>	Requests the settings entered with <b>call,out1,t1,t2,t3,t4,t5</b>
<b>call,voice+out1,t1,t2,t3,t4,t5</b> <b>call,voice+out1,t6,...,t500</b>	Sets the module to answer a call from the specified numbers and to activate Output 1
<b>call,voice+out1?</b>	Requests the settings entered with <b>call,voice+out1,t1,t2,t3,t4,t5</b>
<b>out1,trigger</b>	Sets trigger mode to Output 1
<b>out1,pulse,xx</b>	Sets pulse mode to Output 1 and its period
<b>out1?</b>	Requests the settings entered with <b>out1,trigger</b> and <b>out1,pulse,XX</b>
<b>call,out2,t1,t2,t3,t4,t5</b> <b>call,out2,t6,...,t500</b>	Sets the module to activate Output 2 after incoming voice call from the specified numbers
<b>call,out2?</b>	Requests the settings entered with <b>call,out2,t1,t2,t3,t4,t5</b>

<b>call,voice+out2,t1,t2,t3,t4,t5</b> <b>call,voice+out2,t6,...,t500</b>	Sets the module to answer a call from the specified numbers and to activate Output 2
<b>call,voice+out2?</b>	Requests the settings entered with <b>call,voice+out2,t1,t2,t3,t4,t5</b>
<b>call,outs,t1,t2,t3,t4,t5</b> <b>call,outs,t6,...,t500</b>	Sets the module to activate both outputs after incoming voice call from the specified numbers
<b>call,outs?</b>	Requests the settings entered with <b>call,outs,t1,t2,t3,t4,t5</b>
<b>call,voice+outs,t1,t2,t3,t4,t5</b> <b>call,voice+outs,t6,...,t500</b>	Sets the module to answer a call from the specified numbers and to activate both outputs
<b>call,voice+outs?</b>	Requests the settings entered with <b>call,voice+outs,t1,t2,t3,t4,t5</b>
<b>call,t?,x</b>	Requests the settings for incoming call for the number at position <b>X</b>
<b>setout1,on</b>	Turn on Output 1 via SMS
<b>setout1,off</b>	Turn off Output 1 via SMS
<b>setout1,pulse,XX</b>	Turn on Output 1 for the specified period via SMS
<b>out2,trigger</b>	Sets trigger mode for Output 2
<b>out2,pulse,xx</b>	Sets pulse mode and its period for Out 2
<b>out2?</b>	Requests the settings entered with <b>out2,trigger</b> and <b>out2,pulse,XX</b>
<b>out2,led</b>	Sets indicator mode for Out 2
<b>out2mode?</b>	Requests the settings entered with <b>out2,led</b>
<b>setout2,on</b>	Turn on Output 2 via SMS
<b>setout2,off</b>	Turn off Output 2 via SMS
<b>setout2,pulse,XX</b>	Turn on Output 2 for the specified period via SMS
<b>voice,in1,t1,t2,t3,t4,t5</b>	Sets the module to initiate voice calls to the specified numbers after Input 1 triggering
<b>voice,in1?</b>	Requests the settings entered with <b>voice,in1,t1,t2,t3,t4,t5</b>
<b>voice,in2,t1,t2,t3,t4,t5</b>	Sets the module to initiate voice calls to the specified numbers after Input 2 triggering
<b>voice,in2?</b>	Requests the settings entered with <b>voice,in2,t1,t2,t3,t4,t5</b>
<b>in1text,xxx</b>	Changes the SMS text for Input 1
<b>in1text?</b>	Requests the settings entered with <b>in1text,xxx</b>
<b>in2text,xxx</b>	Changes the SMS text for Input 2
<b>in2text?</b>	Requests the settings entered with <b>in2text,xxx</b>



<b>sms,in1,t1,t2,t3,t4,t5</b>	Sets the module to send SMS to the specified numbers after Input 1 triggering
<b>sms,in1?</b>	Requests the settings entered with <b>sms,in1,t1,t2,t3,t4,t5</b>
<b>sms,in2,t1,t2,t3,t4,t5</b>	Sets the module to send SMS to the specified numbers after Input 2 triggering
<b>sms,in2?</b>	Requests the settings entered with <b>sms,in2,t1,t2,t3,t4,t5</b>
<b>sms,in1restore,on</b>	Sets the module to send SMS to specified numbers after Input 1 restore
<b>sms,in1restore,off</b>	Disables the module to send SMS to specified numbers after Input 1 restore
<b>sms,in1restore?</b>	Requests the settings entered with the upper two commands
<b>sms,in2restore,on</b>	Sets the module to send SMS to specified numbers after Input 2 restore
<b>sms,in2restore,off</b>	Disables the module to send SMS to specified numbers after Input 2 restore
<b>sms,in2restore?</b>	Requests the settings entered with the upper two commands
<b>in1,XX</b>	Sets the input triggering filter for Input 1
<b>in1?</b>	Requests the settings entered with <b>in1,XX</b>
<b>in2,XX</b>	Sets the input triggering filter for Input 2
<b>in2?</b>	Requests the settings entered with <b>in2,XX</b>
<b>voice+sms,in1,t1,t2,t3,t4,t5</b>	Sets the module to initiate voice calls and SMS to the specified numbers after Input 1 triggering
<b>voice+sms,in1?</b>	Requests the settings entered with <b>voice+sms,in2,t1,t2,t3,t4,t5</b>
<b>voice+sms,in2,t1,t2,t3,t4,t5</b>	Sets the module to initiate voice calls and SMS to the specified numbers after Input 2 triggering
<b>voice+sms,in2?</b>	Requests the settings entered with <b>voice+sms,in2,t1,t2,t3,t4,t5</b>
<b>none,in1,t1,t2,t3,t4,t5</b>	Turns off the module response to specified numbers after Input 1 triggering
<b>none,in1?</b>	Requests the settings entered with <b>none,in1</b>
<b>none,in2,t1,t2,t3,t4,t5</b>	Turns off the module response to specified numbers after Input 2 triggering
<b>none,in2?</b>	Requests the settings entered with <b>none,in2</b>
<b>sms,out1on,t1,t2,t3,t4,t5</b>	Sets the module to send SMS to the specified numbers when OUT1 changes
<b>sms,out1on?</b>	Requests the settings entered with <b>sms,out1on,t1,t2,t3,t4,t5</b>

<b>sms,out1off,t1,t2,t3,t4,t5</b>	Disables SMS send to the specified numbers when OUT1 changes
<b>sms,out1off?</b>	Requests the settings entered with <b>sms,out1off,t1,t2,t3,t4,t5</b>
<b>sms,out2on,t1,t2,t3,t4,t5</b>	Sets the module to send SMS to the specified numbers when OUT2 changes
<b>sms,out2on?</b>	Requests the settings entered with <b>sms,out2on,t1,t2,t3,t4,t5</b>
<b>sms,out2off,t1,t2,t3,t4,t5</b>	Disables SMS send to the specified numbers when OUT1 changes
<b>sms,out2off?</b>	Requests the settings entered with <b>sms,out2off,t1,t2,t3,t4,t5</b>
<b>state?</b>	Requests the state of all inputs and outputs, power supply and GSM signal level
<b>report,x</b>	Sets the automatic report interval
<b>report?</b>	Requests the settings entered with <b>report,x</b>
<b>retries,X</b>	Sets the number of automatic call redials
<b>retries?</b>	Requests the settings entered with <b>retries,X</b>
<b>duration,XX</b>	Sets the maximum call duration in minutes
<b>duration?</b>	Requests the settings entered with <b>duration,XX</b>
<b>dialing,single</b>	Sets the dialing mode to Single response
<b>dialing,all</b>	Sets the dialing mode to Dial all
<b>dialing?</b>	Requests the settings entered with <b>dialing</b>
<b>acksms,on</b>	Turn <b>ON</b> blocking of the SMS response to unauthorized numbers
<b>acksms,off</b>	Turn <b>OFF</b> blocking of the SMS response to unauthorized numbers
<b>acksms?</b>	Requests the settings entered with <b>acksms,on</b> and <b>acksms,off</b>
<b>powerreport,X</b>	Sets SMS notification for external power change and its triggering filter in seconds
<b>powerreport?</b>	Requests the settings entered with <b>powerreport,X</b>
<b>name,XXXXXXXXXX</b>	Sets user defined device name
<b>name?</b>	Requests the settings entered with <b>name,XXXXXXXXXX</b>
<b>ver?</b>	Requests module's serial number and versions